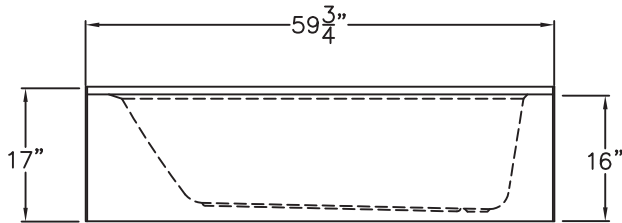


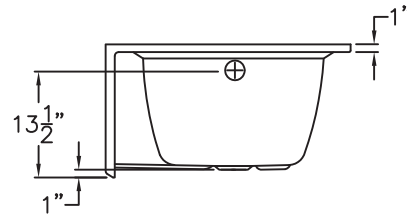
# LUXURY ACRYLIC SERIES

## SUBMITTAL DATA

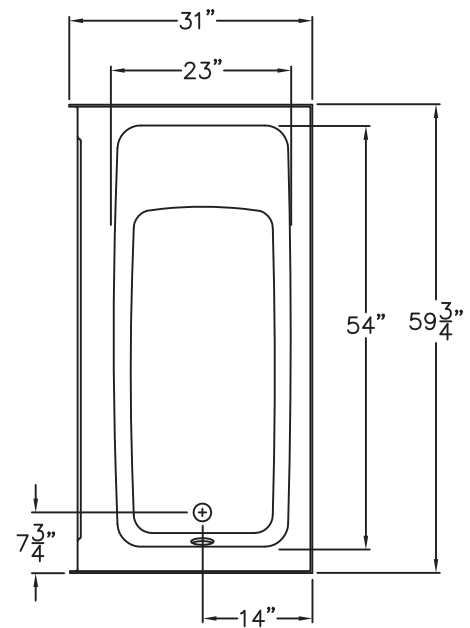
FRONT VIEW



SIDE VIEW



TOP VIEW



### Acrylic Bathtub

This bathtub shall be Praxis model TO 226 end drain. Finished surface shall be sanitary grade applied acrylic. The unit shall have outside dimensions of 59 3/4" x 31" x 17".

The unit shall meet IAPMOZ124-2011, and CSA B45.5-11.

The unit shall be equipped with the following factory installed accessories:

- 1) Molded perimeter mounting flange,
- 2) End drain location,
- 3) Molded apron/skirt,
- 4) 16" Apron.

DUE TO THE NATURE OF THE MATERIALS INVOLVED, UNIT DIMENSIONS MAY VARY ± 1/2 INCH.

Job Name:		<b>PRAXIS</b>	
Approved By Print Name:		Drawing#: TO 226 RH	
Approved By Signature:	Date Approved:	Date: 7-17-96	Revised: 11-10-16
Rep.:	Wholesaler:	Quote No.:	

PRAXIS INDUSTRIES, LLC.  
 435 INDUSTRIAL RD - SAVANNAH, TN 38372  
 1 (800) 443-7269 - FAX (731) 925-4290