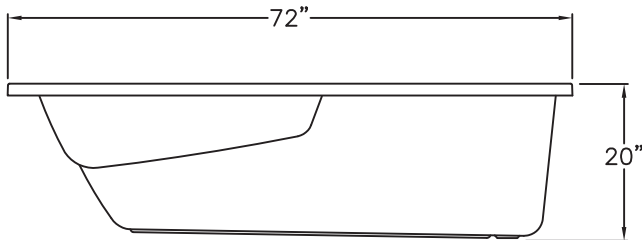


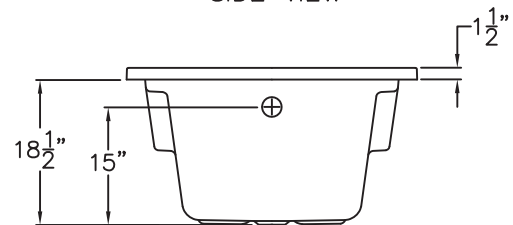
LUXURY ACRYLIC SERIES

SUBMITTAL DATA

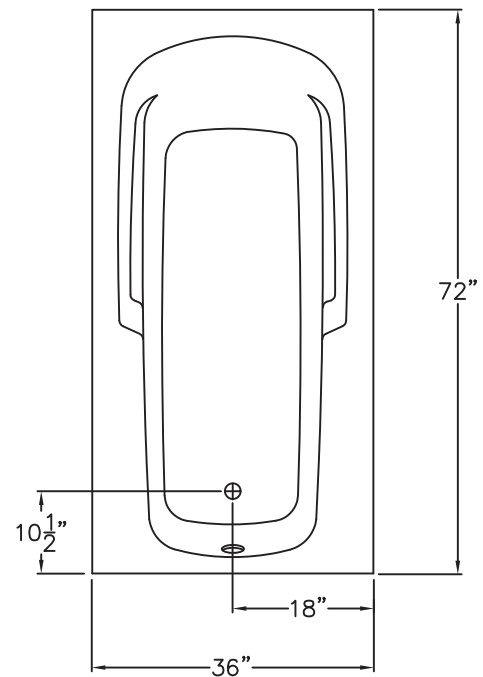
FRONT VIEW



SIDE VIEW



TOP VIEW



Acrylic Bathtub

This bathtub shall be Praxis model TO 236 end drain. Finished surface shall be sanitary grade applied acrylic. The unit shall have outside dimensions of 72" x 36" x 20".

The unit shall meet IAPMOZ124-2011, and CSA B45.5-11.

The unit shall be equipped with the following factory installed accessories:

- 1) Molded perimeter rim,
- 2) End drain location,
- 3) Molded arm rests,
- 4) 20" Apron.

DUE TO THE NATURE OF THE MATERIALS INVOLVED, UNIT DIMENSIONS MAY VARY ± 1/2 INCH.

Job Name:		PRAXIS	
Approved By Print Name:		Drawing#: TO 236 DI	
Approved By Signature:	Date Approved:	Date: 7-17-96	Revised: 11-10-16
Rep.:	Wholesaler:	Quote No.:	

PRAXIS INDUSTRIES, LLC.
 435 INDUSTRIAL RD - SAVANNAH, TN 38372
 1 (800) 443-7269 - FAX (731) 925-4290