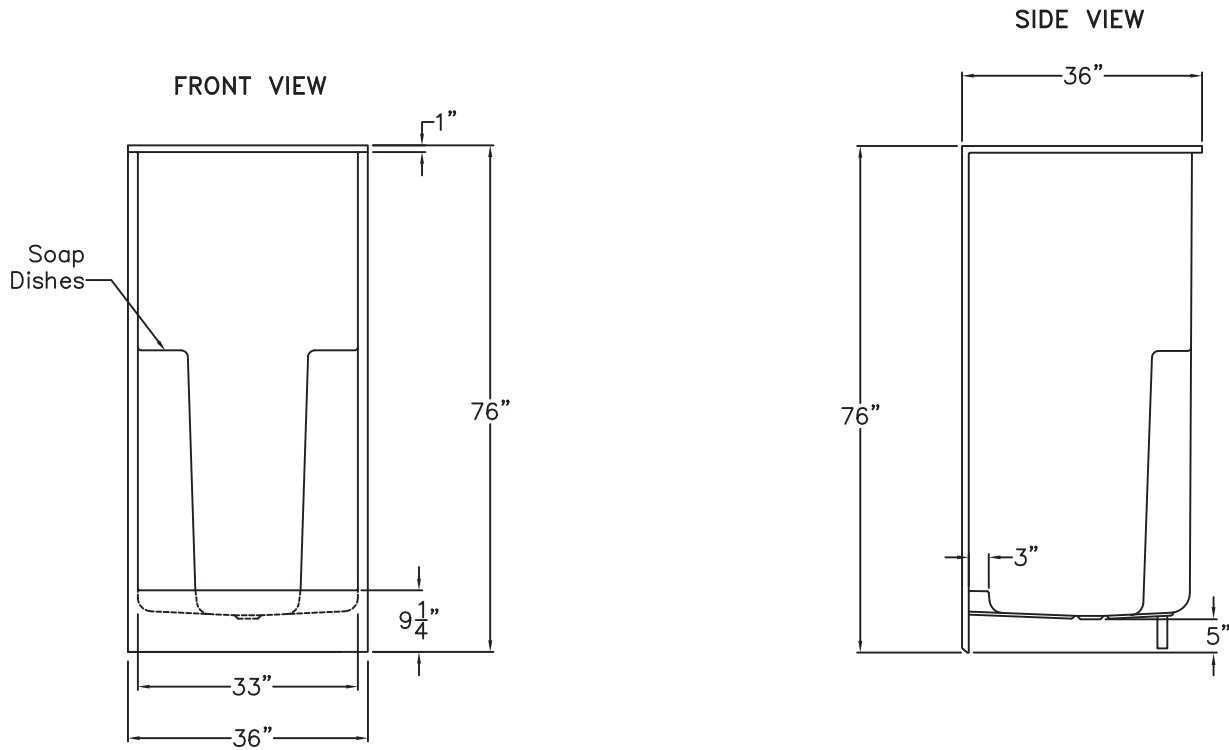


LUXURY ACRYLIC SERIES

SUBMITTAL DATA



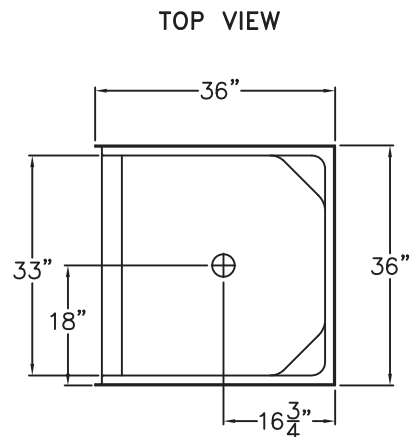
Smooth Wall Acrylic Shower

The shower enclosure shall be Praxis model S614 center drain. Finished surface shall be sanitary grade applied acrylic. The unit shall have outside dimensions of 36" x 36" x 78".

The unit shall meet IAPMOZ124-2011, and CSA B45.5-11.

The unit shall be equipped with the following factory installed accessories:

- 1) Molded soap dishes,
- 2) Center drain location,
- 3) Above floor rough-in,
- 4) 9 1/4" Threshold.



DUE TO THE NATURE OF THE MATERIALS
DIMENSIONS MAY VARY ± 1/2"

Model:		PRAXIS	
Approved by Print Name:		Drawing#: S614	
Approved by Signature:	Date Approved:	Date: 7-18-96	Revised: 11-10-16
Rep.:	Wholesaler:	Quote No.:	

PRAXIS INDUSTRIES, INC.
435 INDUSTRIAL RD - SAVANNAH, TN 38372
1 (800) 443-7269 - FAX (901) 925-4290