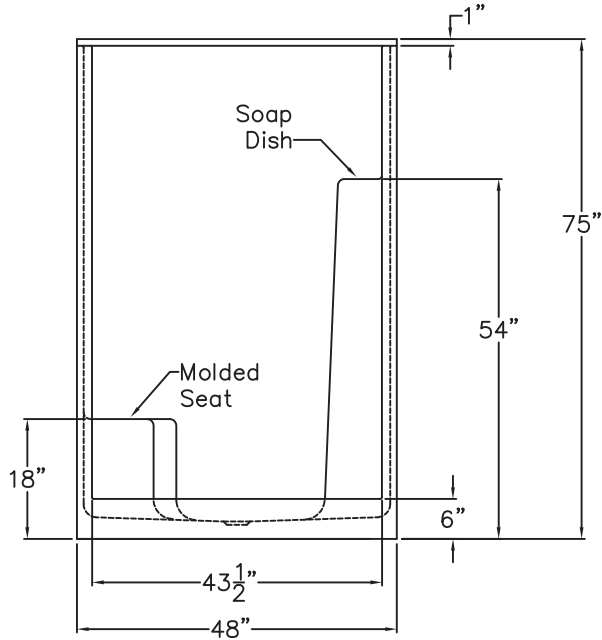


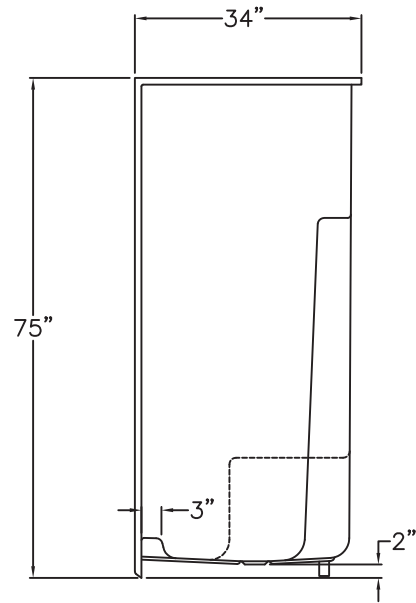
# LUXURY ACRYLIC SERIES

## SUBMITTAL DATA

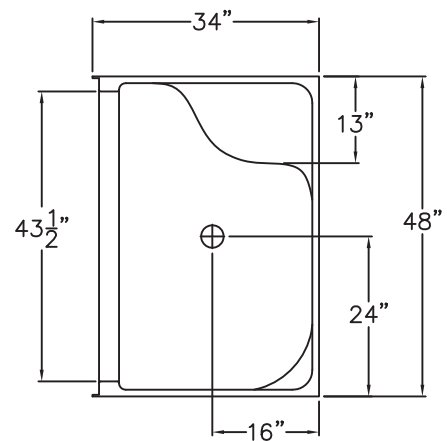
FRONT VIEW



SIDE VIEW



TOP VIEW



DUE TO THE NATURE OF THE MATERIALS  
DIMENSIONS MAY VARY ± 1/2"

### Smooth Wall Acrylic Shower

The tub shower enclosure shall be Praxis model S671 center drain. Finished surface shall be sanitary grade applied acrylic. The unit shall have outside dimensions of 48" x 34" x 75".

The unit shall meet IAPMOZ124-2011, and CSA B45.5-11.

The unit shall be equipped with the following factory installed accessories:

- 1) One molded soap ledge,
- 2) One molded seat on the left,
- 3) Center drain location,
- 4) 6" Threshold.

Model:	PRAXIS
Approved by Print Name:	Drawing#: S671
Approved by Signature:	Date Approved:
Rep.:	Wholesaler:
Date: 7-18-96 Revised: 11-10-16	
Quote No.:	

PRAXIS INDUSTRIES, INC.  
435 INDUSTRIAL RD - SAVANNAH, TN 38372  
1 (800) 443-7269 - FAX (901) 925-4290