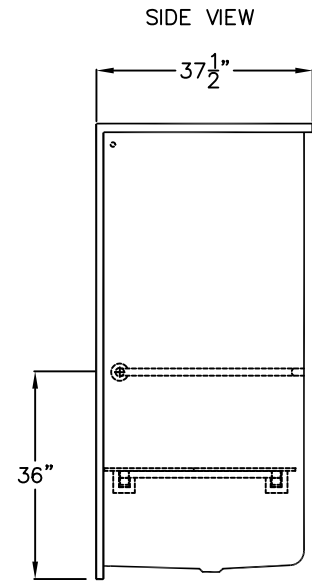
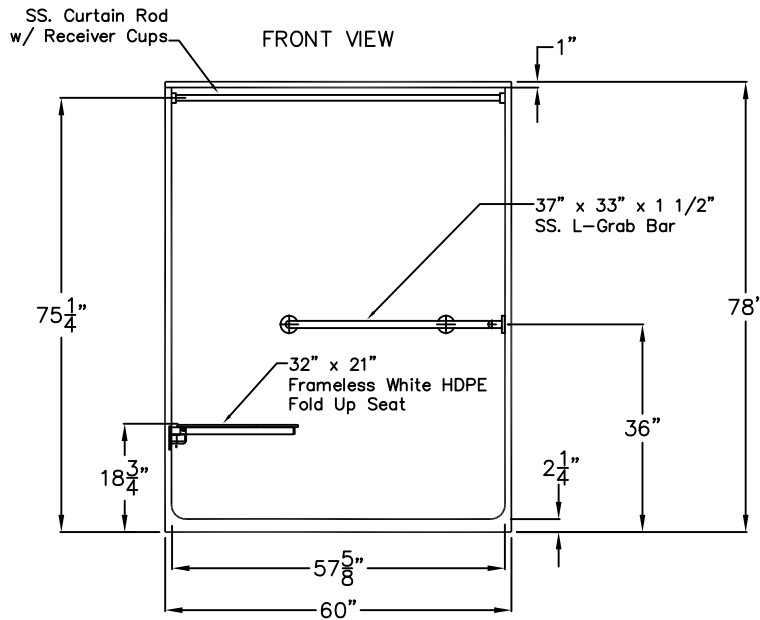


# Special Needs Series

## SUBMITTAL DATA



### Roll-In Shower Stall

The shower enclosure shall be Praxis Model HS 760 center, right or left. Finished surface shall be of a sanitary-grade applied acrylic.

The unit shall have outside dimensions of 60" x 37 1/2" x 78".

The unit shall meet ANSI Z124.1.2 HUD, AND CSA B45.5.

NOTE: UNIT DOES NOT COMPLY WITH ADA, OR ANSI A117.1 GUIDELINES.

The enclosure shall be equipped with the following installed accessories:

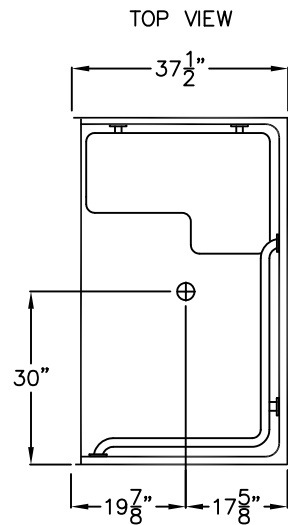
- 1) One 37" x 33" x 1 1/2" diameter, stainless steel L-grab bar, with 1 1/2" statute clearance mounted with stainless steel bolts and secured from the rear with a 3" x 3" x 11 gauge metal mounting plate,
- 2) Factory installed 32" x 21" frameless HDPE fold up seat,
- 3) One inch diameter 18 gauge stainless steel curtain rod with receiver cups,
- 4) One 2 1/4" threshold,

NOTE: ROOM FLOOR MUST BE BUILT UP TO BE EVEN WITH TOP OF SHOWER THRESHOLD FOR A NON RECESS INSTALLATION OF THIS UNIT FOR ROLL-IN. (SEE BELOW)

THIS UNIT FEATURES THE OUTSIDE DIMENSIONS OF 60" OF OVERALL WIDTH. THIS DOES NOT ALLOW FOR FULL ENCLOSURE OF THE BOLTS THAT ARE USED TO SECURE THE BARS AND SEAT IN PLACE. THE BOLT AND NUT COMBINATION SHOULD NOT PROTRUDE MORE THAN 3/4" ON EITHER SIDE.

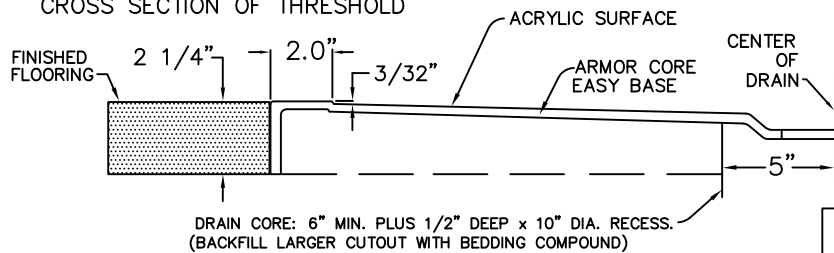
THIS SHOULD NOT CREATE ANY TYPE OF INSTALLATION PROBLEMS EXCEPT FOR A DRY WALL ENCLOSED FIRE WALL INSTALLATION AREA THAT WOULD NOT ALLOW FOR ANY VARIATIONS. IN A STANDARD STUD OPENING, INSTALLATION OF THE EXTENSION OF THE HARDWARE SHOULD NOT CAUSE ANY TYPE OF PROBLEM.

NOTE: THIS UNIT WILL NOT ACCEPT A DOOR!



DUE TO THE NATURE OF THE MATERIALS DIMENSIONS MAY VARY ± 1/2"

#### CROSS SECTION OF THRESHOLD



**PRAXIS**

Approved by Print Name

Drawing#: HS760 SLB FHDP CR

Approved by Signature:

Date Approved:

Date: 10-8-08

Revised: 1-2-20

Rep.:

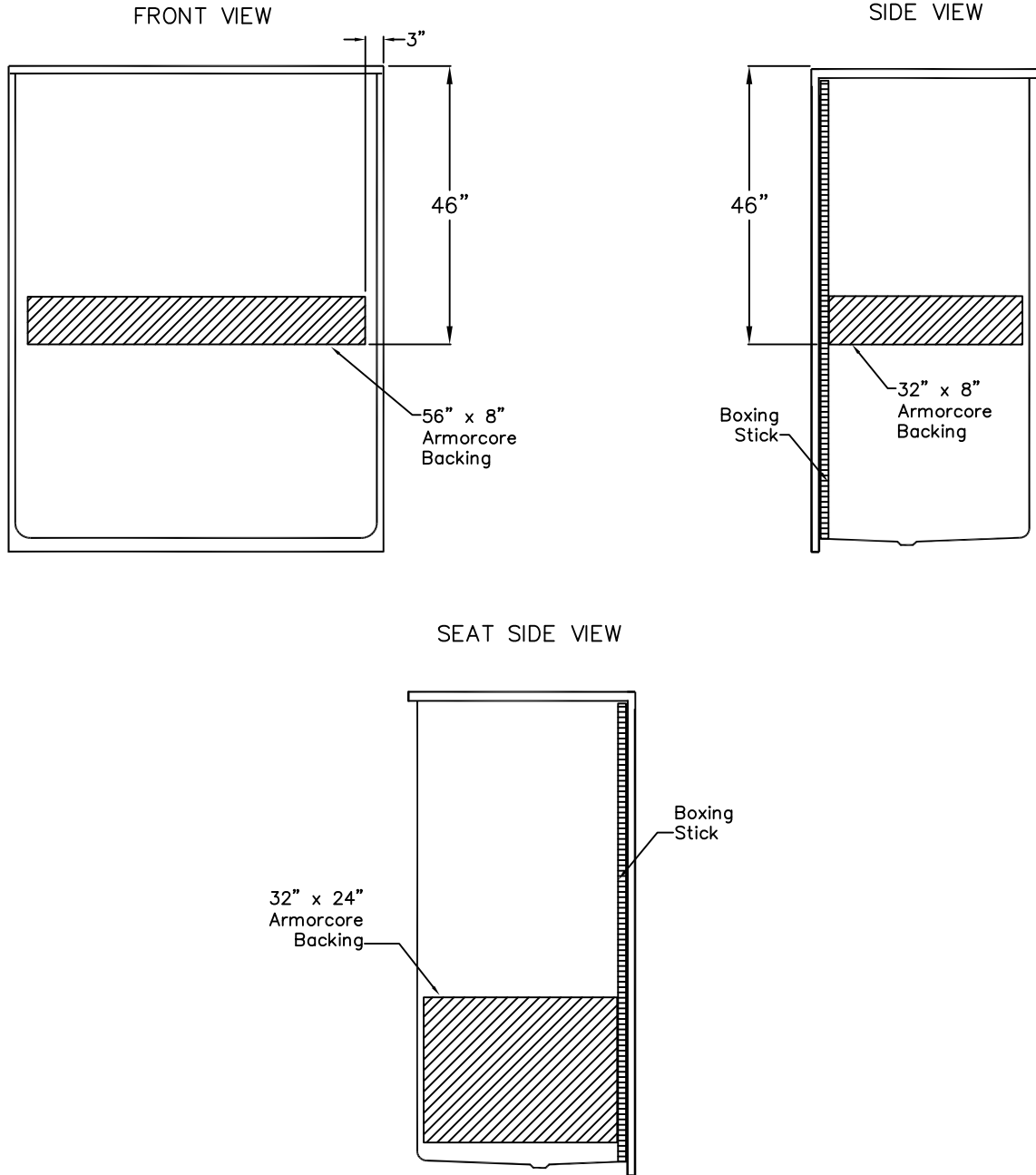
Wholesaler:

Quote No.:

PRAXIS INDUSTRIES, LLC.  
 435 INDUSTRIAL RD - SAVANNAH, TN 38372  
 1 (800) 443-7269 - FAX (731) 925-4290

# Backing Placement Drawing

## SUBMITTAL DATA



DUE TO THE NATURE OF THE MATERIALS  
DIMENSIONS MAY VARY  $\pm 1/2"$

Job Name:	PRAXIS	
Model No.:	Drawing#: HS 760 SLB FHDP CR-BP	
Approved by:	Date Approved:	Date: 12-16-99      Revised: 1-2-20
Rep.:	Wholesaler:	Quote No.:

PRAXIS INDUSTRIES, LLC.  
435 INDUSTRIAL RD - SAVANNAH, TN 38372  
1 (800) 443-7269 - FAX (731) 925-4290