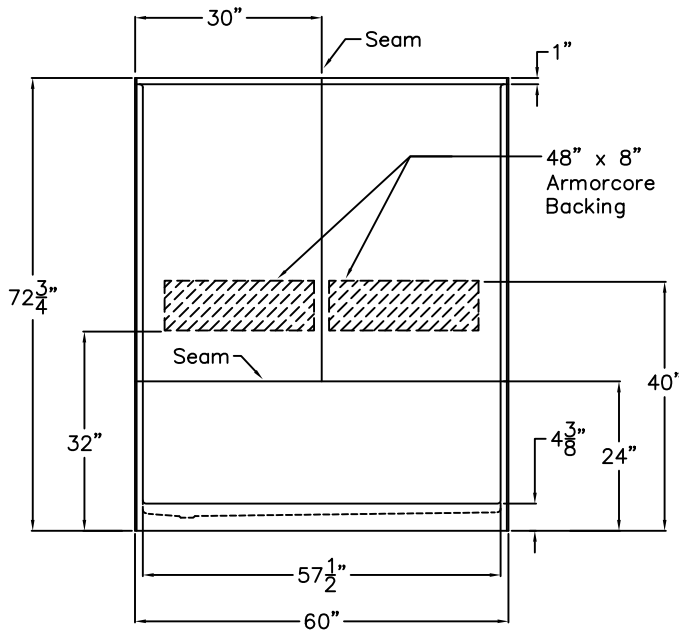


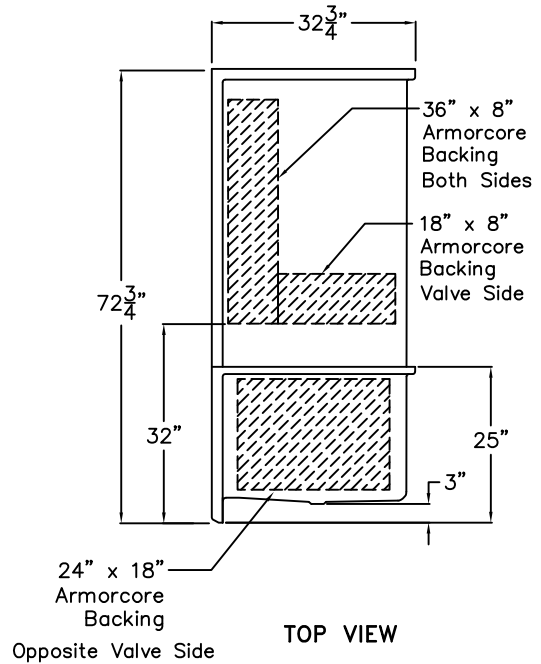
Special Needs Series

SUBMITTAL DATA

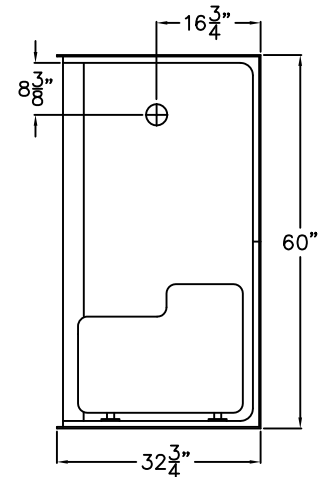
FRONT VIEW



SIDE VIEW



TOP VIEW



Roll-In Shower Stall

The three-piece shower enclosure shall be Praxis Model H761 left. Finished surface shall be of a sanitary-grade applird acrylic.

The unit shall have outside dimensions of 60" x 32 3/4" x 72 3/4".

The unit shall meet IAPMO Z124-11, BOCA, CSA B45.5-11, Home Innovation Reserch Lab, UPC, and shall meet the requirements of Southern Building Code.

The enclosure shall be equipped with the following installed accessories:

- 1) Three piece sectional design,
- 2) Left hand drain location,
- 3) Armorcore backing on all walls for future grab bars. (Future grab bars by others),
- 4) Armorcore backing for future seat. (Future grab bars by others),
- 5) Above floor rough-in,
- 6) 4 3/8" Threshold.

THIS UNIT FEATURES THE OUTSIDE DIMINIONS OF 64" OF OVERALL WIDTH. THIS DOES NOT ALLOW FOR FULL ENCLOSURE OF THE BOLTS THAT ARE USED TO SECURE THE BARS AND SEAT IN PLACE. THE BOLT AND NUT COMBINATION SHOULD NOT PROTRUDE ANY MORE THAN 1" ON EITHER SIDE. THIS SHOULD NOT CREATE ANY TYPE OF INSTALLATION PROBLEMS EXCEPT FOR A DRY WALL ENCLOSED FIRE WALL INSTALLATION AREA THAT WOULD NOT ALLOW FOR ANY VARIATIONS. IN A STANDARD STUD/OPENING INSTALLATION, THE EXTENSION OF THE HARDWARE SHOULD NOT CAUSE ANT TYPE OF PROBLEM.

DUE TO THE NATURE OF THE MATERIALS DIMENSIONS MAY VARY ±1/2"

Job Name:

PRAXIS

Approved by Print Name:

Drawing#: HS 761 LH FBP WGPH

Approved by Signature:

Date Approved:

Date: 6-21-07

Revised: 3-6-17

Rep.:

Wholesaler:

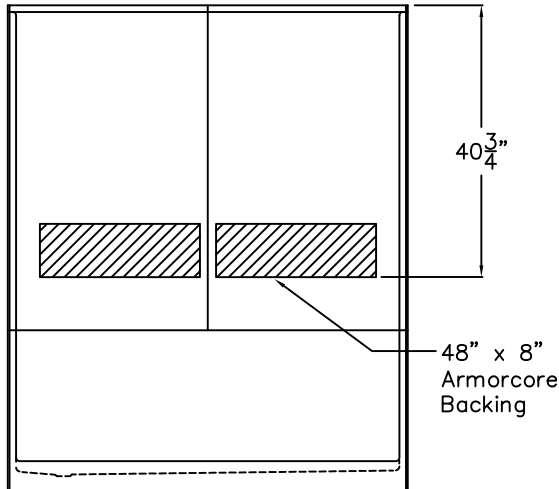
Quote No.:

PRAXIS INDUSTRIES, INC.
435 INDUSTRIAL ROAD - SAVANNAH, TN 38372
1 (800) 443-7269 - FAX (901) 925-4290

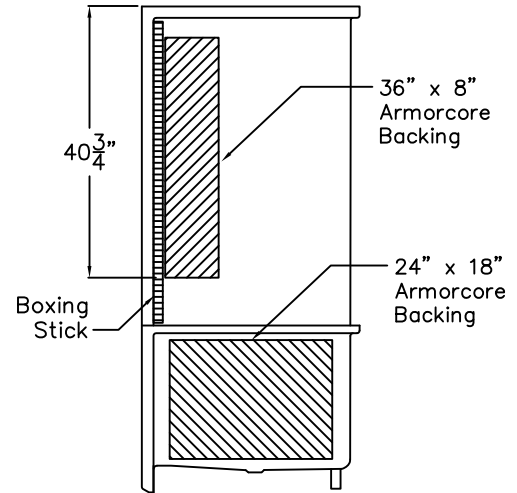
Backing Placement Drawing

SUBMITTAL DATA

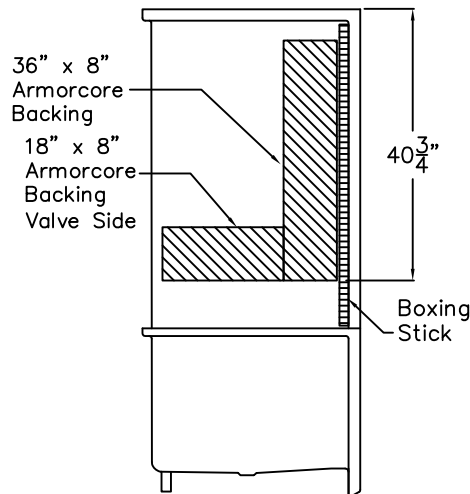
FRONT VIEW



SEAT SIDE VIEW



DRAIN SIDE VIEW



DUE TO THE NATURE OF THE MATERIALS
DIMENSIONS MAY VARY $\pm 1/2$ "

Job Name:	PRAXIS		
Model No.:	Drawing#: HS 761 LH FBP WGPB-BP		
Approved by:	Date Approved:	Date: 8-13-96	Revised: 3-6-17
Rep.:	Wholesaler:	Quote No.:	

PRAXIS INDUSTRIES, LLC.
435 INDUSTRIAL RD - SAVANNAH, TN 38372
1 (800) 443-7269 - FAX (731) 925-4290