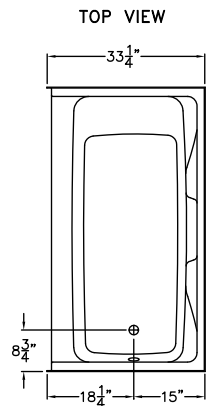
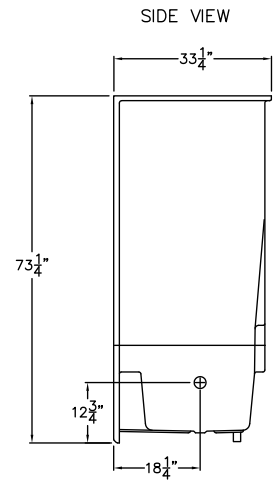
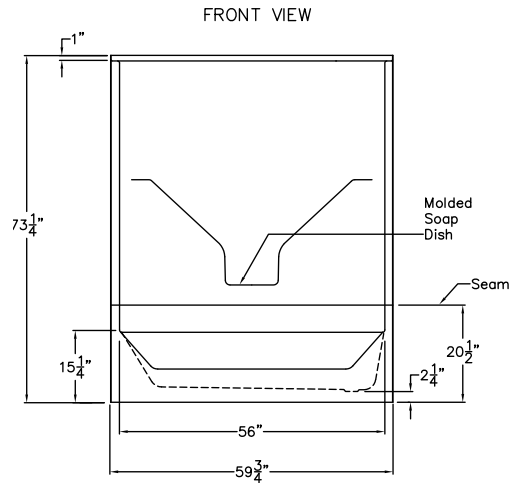


**KDTS421LH/426(2P)**  
59.75" x 33.25" x 73.25"



**FEATURES**

FINISH	PRODUCT	PIECES	WALL
AcrylX™	Sectional	Two	Smooth

**OPTIONS**

WHIRLPOOL	STANDARD COLOR	ACCESSORIES
No	White, Bone, Biscuit	Drain

**TECHNICAL INFORMATION**

WT	LOAD FACTOR	HANDED BY	CODES
145	0.90	Center Drain	ANSI 124.1, UPC



AVAILABILITY ■

Due to the nature of the materials, dimensions may vary  $\pm$  1/2".